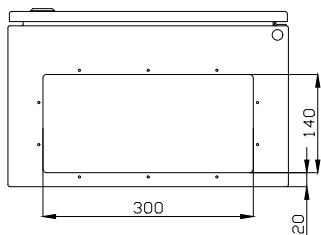
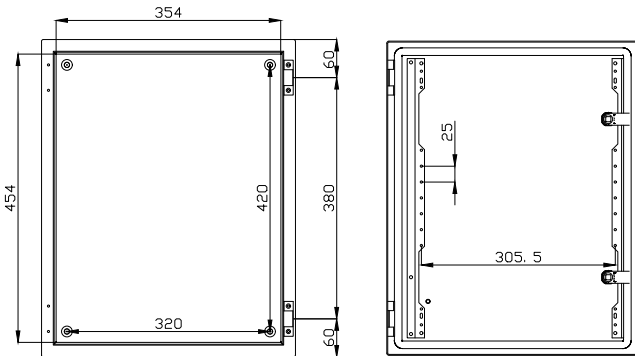


Metalclad Changeover Switch IP55M

Type: GCO3400IP55M (3 Pole)



Thermal current I_{th} at 40°C	400 A
Rated insulation voltage U_i (V)	1000
Rated impulse withstand voltage U_{imp} (kV)	12

Rated operational currents I_e (A)

Rated voltage	Utilisation category	A/B ⁽¹⁾
415 VAC	AC-20 A / AC-20 B	400/400
415 VAC	AC-21 A / AC-21 B	400/400
415 VAC	AC-22 A / AC-22 B	400/400
415 VAC	AC-23 A / AC-23 B	400/400
220 VDC	DC-20 A / DC-20 B	400/400
220 VDC	DC-21 A / DC-21 B	400/400
220 VDC	DC-22 A / DC-22 B	400/400
220 VDC	DC-23 A / DC-23 B	400/400
440 VDC	DC-20 A / DC-20 B	400/400
440 VDC	DC-21 A / DC-21 B	400 ⁽³⁾ /400 ⁽³⁾
440 VDC	DC-22 A / DC-22 B	400 ⁽³⁾ /400 ⁽³⁾
440 VDC	DC-23 A / DC-23 B	400 ⁽⁴⁾ /400 ⁽⁴⁾
500 VDC	DC-20 A / DC-20 B	400/400
500 VDC	DC-21 A / DC-21 B	400 ⁽³⁾ /400 ⁽³⁾
500 VDC	DC-22 A / DC-22 B	315 ⁽⁴⁾ /400 ⁽⁴⁾
500 VDC	DC-23 A / DC-23 B	315 ⁽⁴⁾ /400 ⁽⁴⁾

Operational power in AC-23 A (kW) ⁽¹⁾⁽⁵⁾

At 415 VAC without pre-break in AC ⁽¹⁾	220/220
---	---------

Reactive power (kvar)

At 400 VAC (kvar) ⁽⁵⁾	185
----------------------------------	-----

Prospective short-circuit current (kA rms)	100
Associated fuse rating (A)	400

Rated short-time withstand current 0.3s. I_{cw} (kA rms)	25
--	----

Short-circuit capacity (without protection)

Rated short-time withstand current 1s. I_{cw} (kA rms)	13
Rated short-circuit making capacity without fuses I_{cm} (kA peak)	26

Connection

Maximum Cu cable cross-section (mm ²)	185
Minimum Cu busbar cross-section (mm ²)	
Maximum Cu cable cross-section (mm ²)	240
Maximum Cu busbar width (mm)	40
Tightening torque min/max (Nm)	20/-

Enclosure

Construction	2mm cold-rolled steel plate
Degree of protection	IP55
Impact resistance	IK10
Temperature range	-25 °C / +40 °C
Maximum voltage	1000 V AC / 1500 V DC
Colour	RAL 7035.
Height (mm)	500
Width (mm)	400
Depth (mm)	250



Dokument/document		Utgava datum/edition date
Försäkran om överensstämmelse/ Declaration of conformity		29/06/2016
Avdelning/department Kvalite/Quality		
Ansvarig/prepared Magnus Arvidsson	Version 5	Sida/page 1 av/of 1

Supplier/Tillverkare: **GAROAB**
Box 203
S-335 25 GNOSJO Telephone: +46 (0)370 33 28 00
Sweden Telefax: +46 (0)370 33 28 50

Supplier established within EU/Ombud etablerad inom EG

Supplier of equipment /Materielslag : Enclosed Switchgear

Trade Mark/ Varumärke: GARO

Type Designation / Typbeteckning: GSW..., GFS..., GCO...,CO...,

We hereby declare that our product fulfils the requirements of following EC directives/
Vi intygar härmed att vår produkt uppfyller krav enligt följande EU direktiv:

- The Low Voltage Directive (LVD) 2014/35/EU / Lågspänningsdirektivet (LVD) 2014/35/EU.
- Electromagnetic compatibility (EMC) 2004/108/EU / Elektromagnetisk kompatibilitet (EMC) 2004/108/EG.
- RoHS Directive (RoHS) 2011/65/EU / RoHS direktivet (RoHS) 2011/65/EG.
- No electromagnetic compatibility (EMC) immunity or emission tests are required on the assembly/
Produkten innehåller inte elektroniska apparater som påverkas enligt förbehållen enligt direktivet
(EMC) 2004/108/EG.

The following harmonised standards (latest edition) or technical specifications which comply with good engineering practice in safety matters in force within the EU have been used in the design:/

Följande harmoniserade standarder (senaste utgåva) eller tekniska specifikationer som uppfyller god säkerhetsteknik praxis inom EG har använts i konstruktionen: EN 62; 69-1.'GP '82; 69/5

- The equipment conforms completely with the above stated harmonised standards or technical specifications./
Materielen överensstämmer helt med ovan angivna harmoniserade standarder eller tekniska specifikationer.

Or/eller

- The equipment confirms only partially with the above stated harmonised standards or technical specifications but complies with good practice in safety matters in force within the EU./
Materielen överensstämmer endast delvis med ovan angivna harmoniserade standarder eller tekniska specifikationer, men uppfyller god säkerhetsteknik praxis inom EG.

We have product surveillance according to CENELEC's harmonised requirements, documents CCA-201.

Garo AB
Company/Företag

2016-06-29
Date/Datum

Sign/Underskrift

Environmental- and Quality Manager/Kvalitets- och Miljöchef
Position/Befattning

Magnus Arvidsson
Name / Namnförtydligande